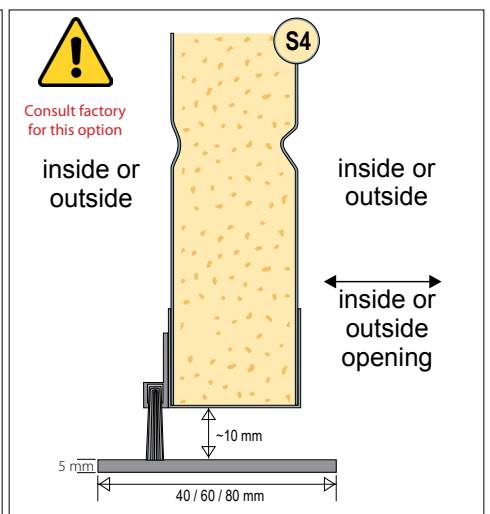
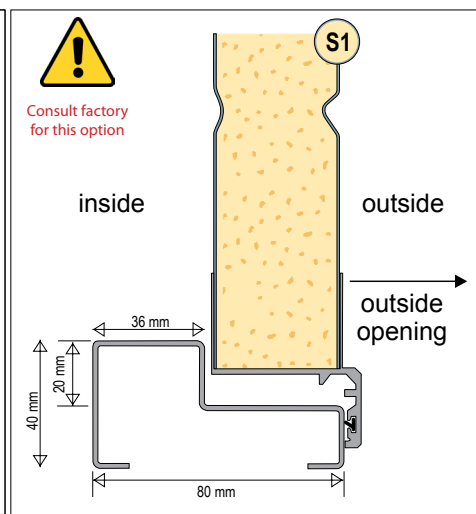
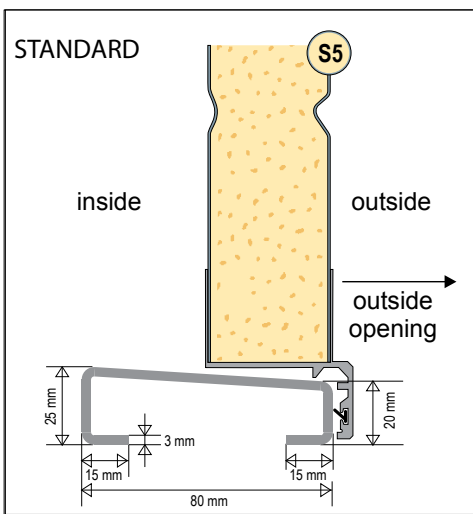
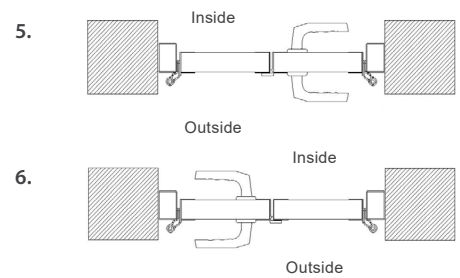
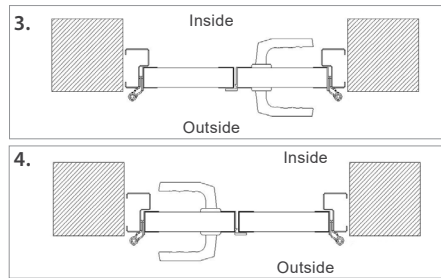
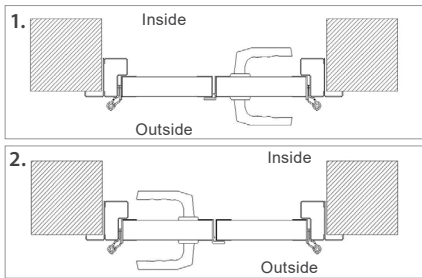


DOUBLE HINGED DOOR (SH2)

SH2 opening and handling options



Locking options and door stays

